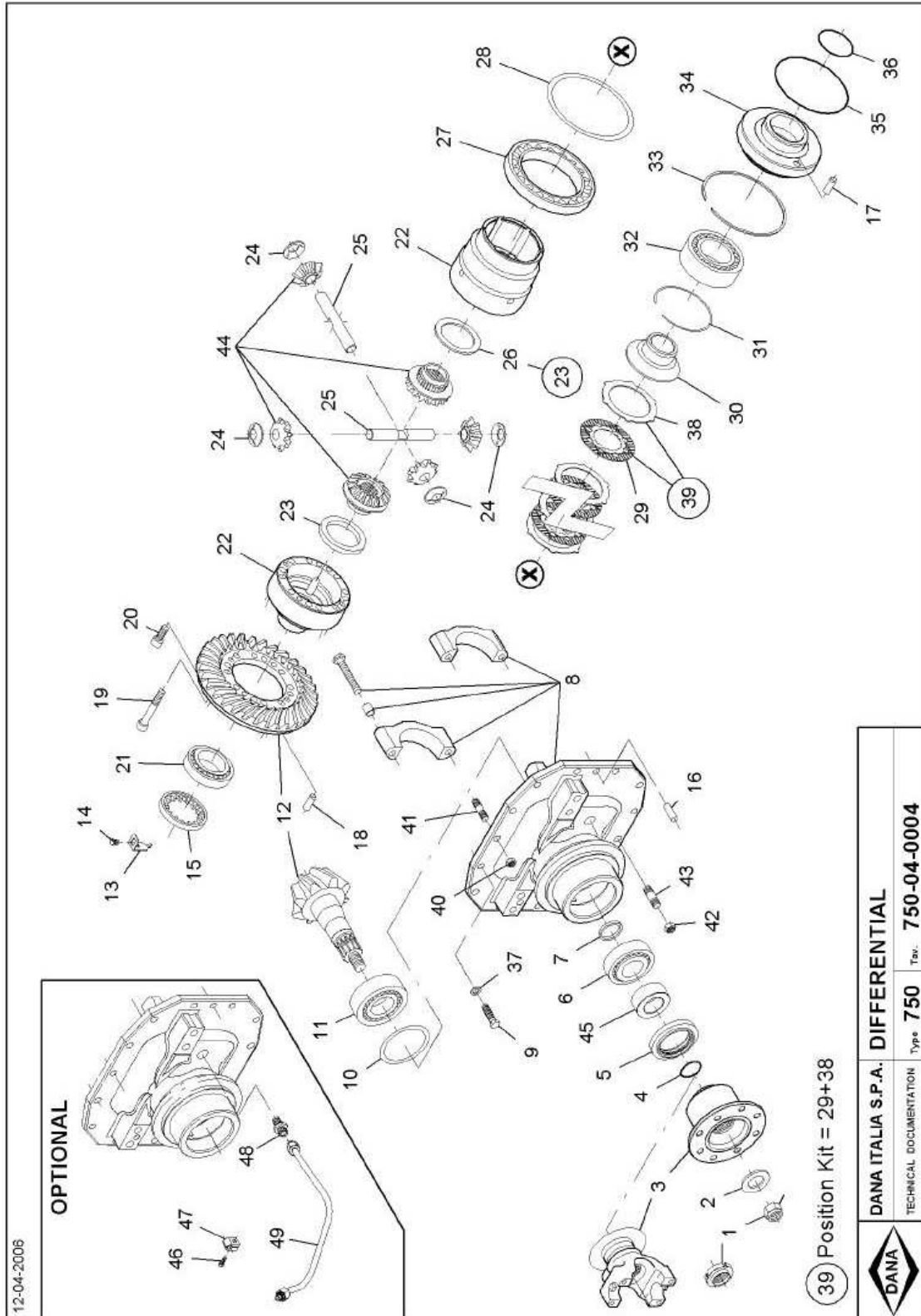
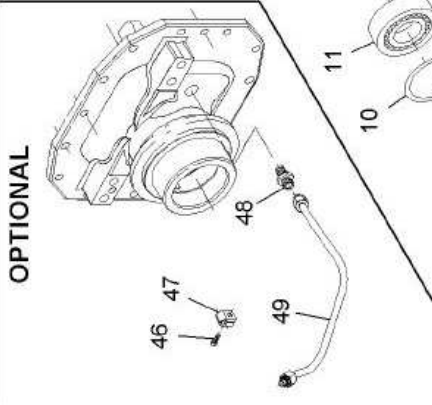


	<b>DANA ITALIA S.P.A. CENTRAL HOUSING</b>	
	TECHNICAL DOCUMENTATION	Type <b>750</b> Tav. <b>750-01-0008</b>

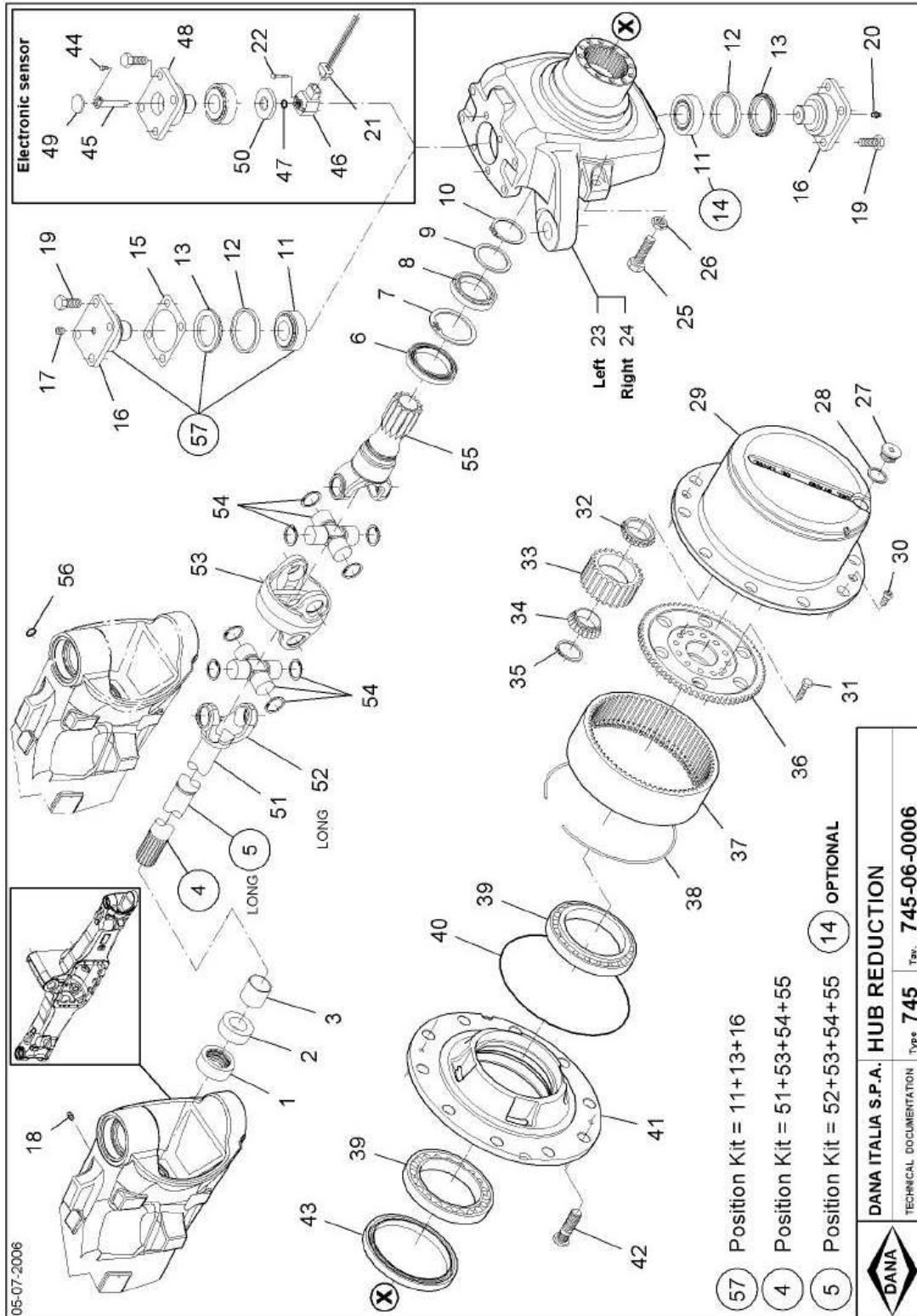


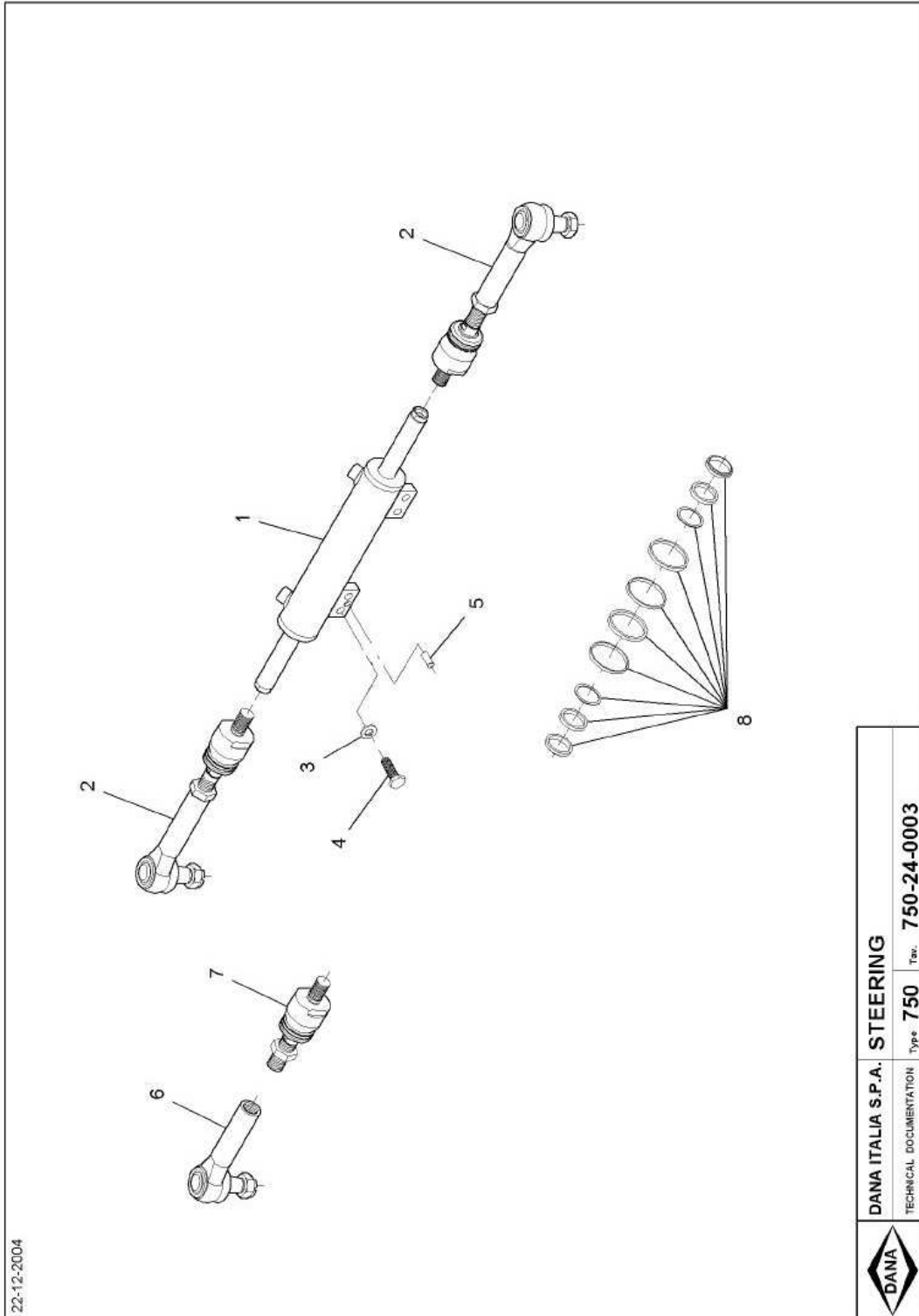
12-04-2006



39 Position Kit = 29+38

	<b>DANA ITALIA S.P.A. DIFFERENTIAL</b>
	TECHNICAL DOCUMENTATION Type <b>750</b> Rev. <b>750-04-0004</b>





22-12-2004

	<b>DANA ITALIA S.P.A. STEERING</b>	
	TECHNICAL DOCUMENTATION	Type <b>750</b> Tar. <b>750-24-0003</b>

